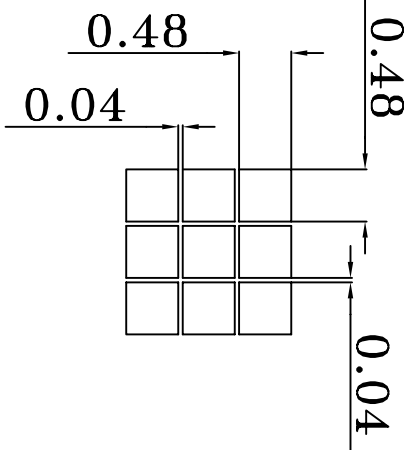
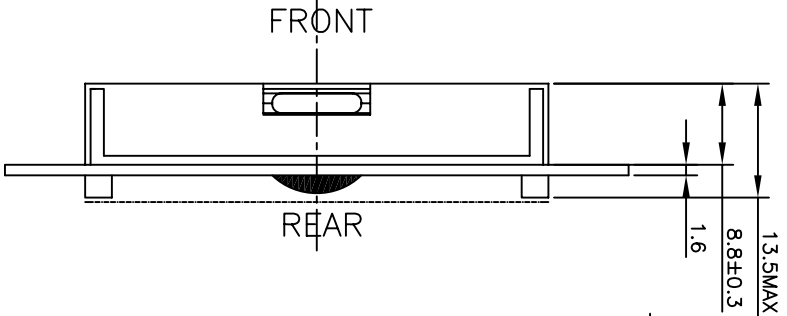
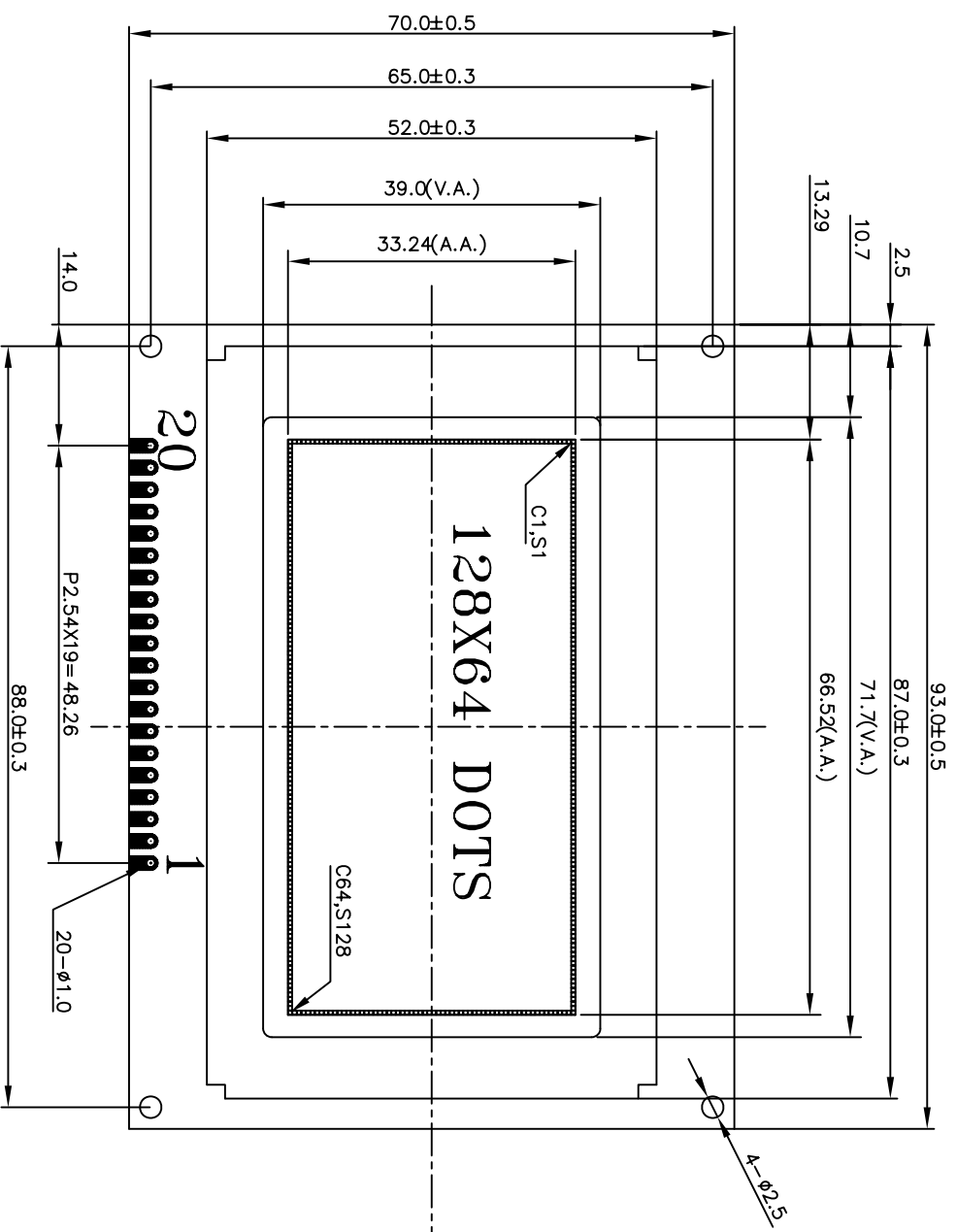


REV.	CHANGE CONTENT	BY	DATE



LCD PIN	IC PIN
C1~C64	IC1:C1~C64
S1~S64	IC2:S1~S64
S65~S128	IC3:S1~S64

PIN NO.	1	2	3	4	5	6	7~14	15	16	17	18	19	20
SYMBOL	V _{SS}	V _{DD}	V ₀	D/I	R/W	E	DB0~DB7	CS1	CS2	/RST	VEE	BL+	BL-
TOLERANCE	±0.10	±0.10	±0.10	±0.10	±0.10	±0.10	±0.10	±0.10	±0.10	±0.10	±0.10	±0.10	±0.10

NOTE:

- DISPLAY TYPE : STN TRANSPARENT-POSITIVE-YELLOW-GREEN
- VIEWING DIRECTION : 6:00
- OPERATING VOLT. : VOP=11V
- OPERATING TEMP. : -20°C ~ +70°C
- STORAGE TEMP. : -30°C ~ +80°C
- DRIVE METHOD : 1/64 DUTY 1/9 BIAS VDD:5.0V
- LED : COLOR: YELLOW-GREEN 底光5.0V
- DRIVE IC : S6B0107,S6B0108*2

THE DIMENSION IN FRAME IS CRITICAL TO QUALITY

		HTDISPLAY CO., LTD.	
DESIGN	ZOUYS	06.08.11	STANDARD
CHECKED			TECHNOLOGY
APPROVED			Q.A
FILE NO.:	8		
DRAWING TITLE:	LCD MODULE		
REV.:	A	SCALE:	-
PROJECTION:		UNIT:	MM
		SHEET:	1/1