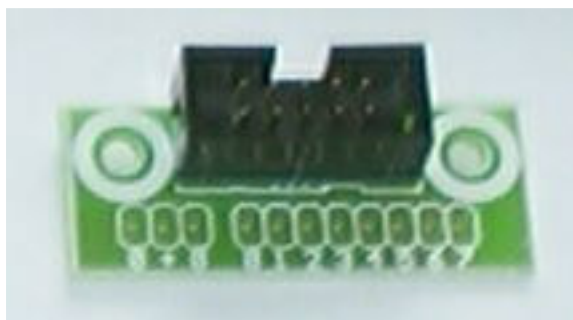


# Dwarf Boards

## DB014 : 8 + 3 solder connections

(c) Van Ooijen Technische Informatica  
version 1.0

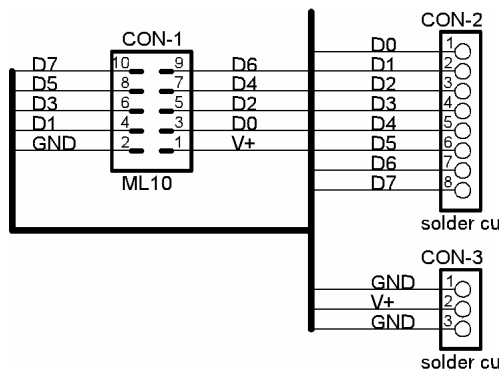
PICmicro, In-Circuit Serial Programming and ICSP are registered trademarks of Microchip Technology Inc.



### Introduction

This document describes the Dwarf Board DB014. This is a peripheral board that contains just a row of solder pads for the 8 data lines and a row of three pads for the power and ground. The board can be used to interface to custom hardware, or use solder cups to accept wires, for instance to interface to a solderless breadboard.

### Circuit



The circuit consist of an ML10 Dwarf Bus connector CON-1 and two rows of solder connections.

### Change notes

the latest version of this document can be downloaded from <http://www.voti.nl/dwarf>

<b>version</b>	<b>date</b>	<b>notes</b>
1.0	2003-11-04	first version
1.01	2003-11-09	text corrected